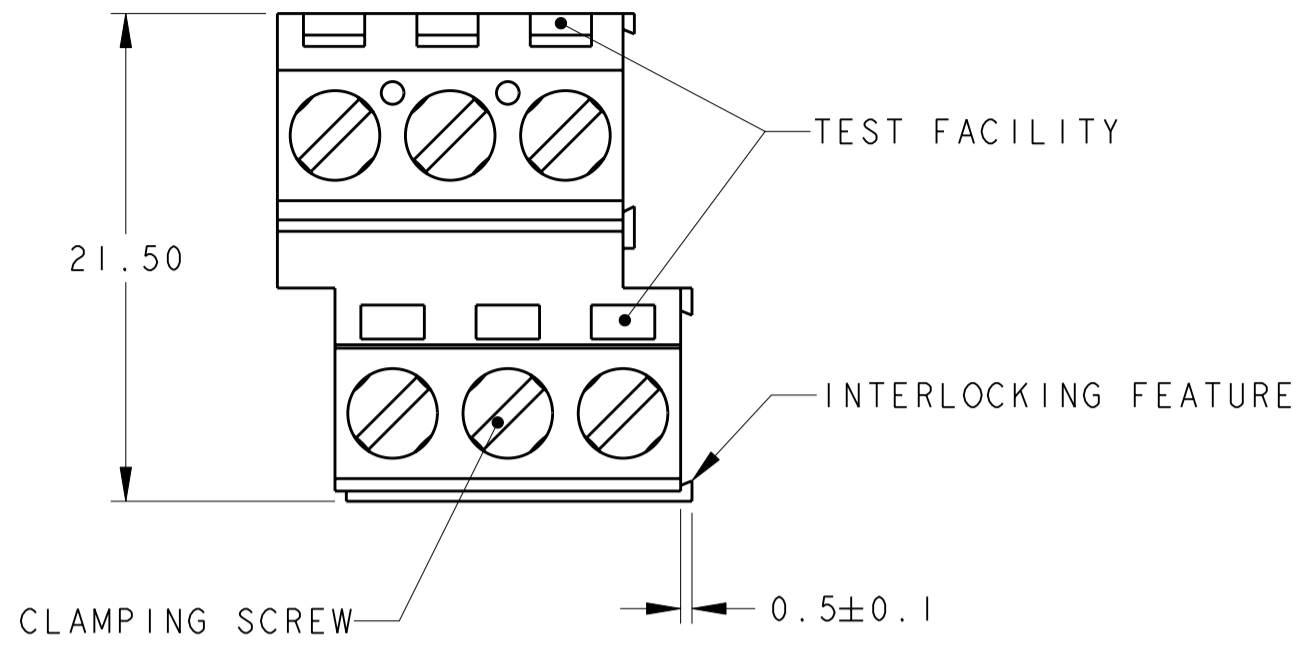
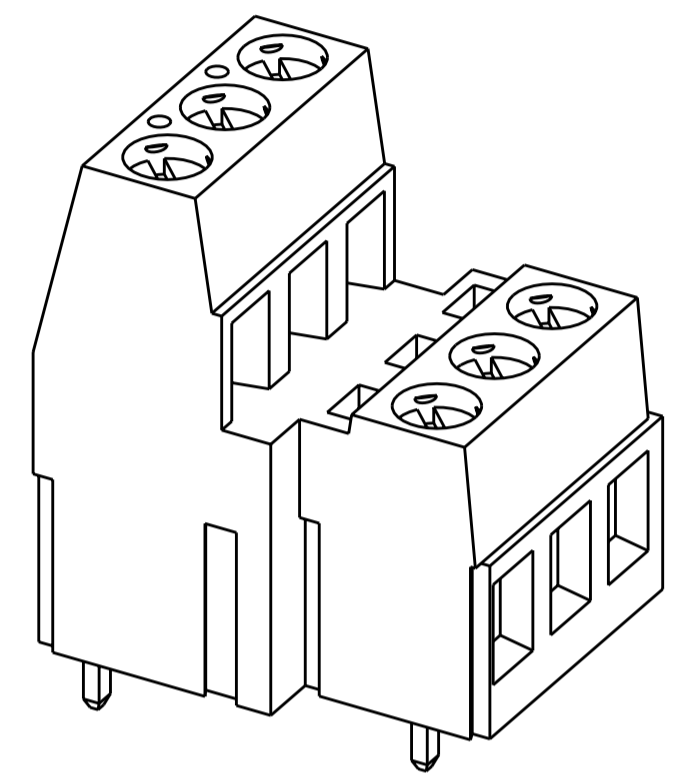


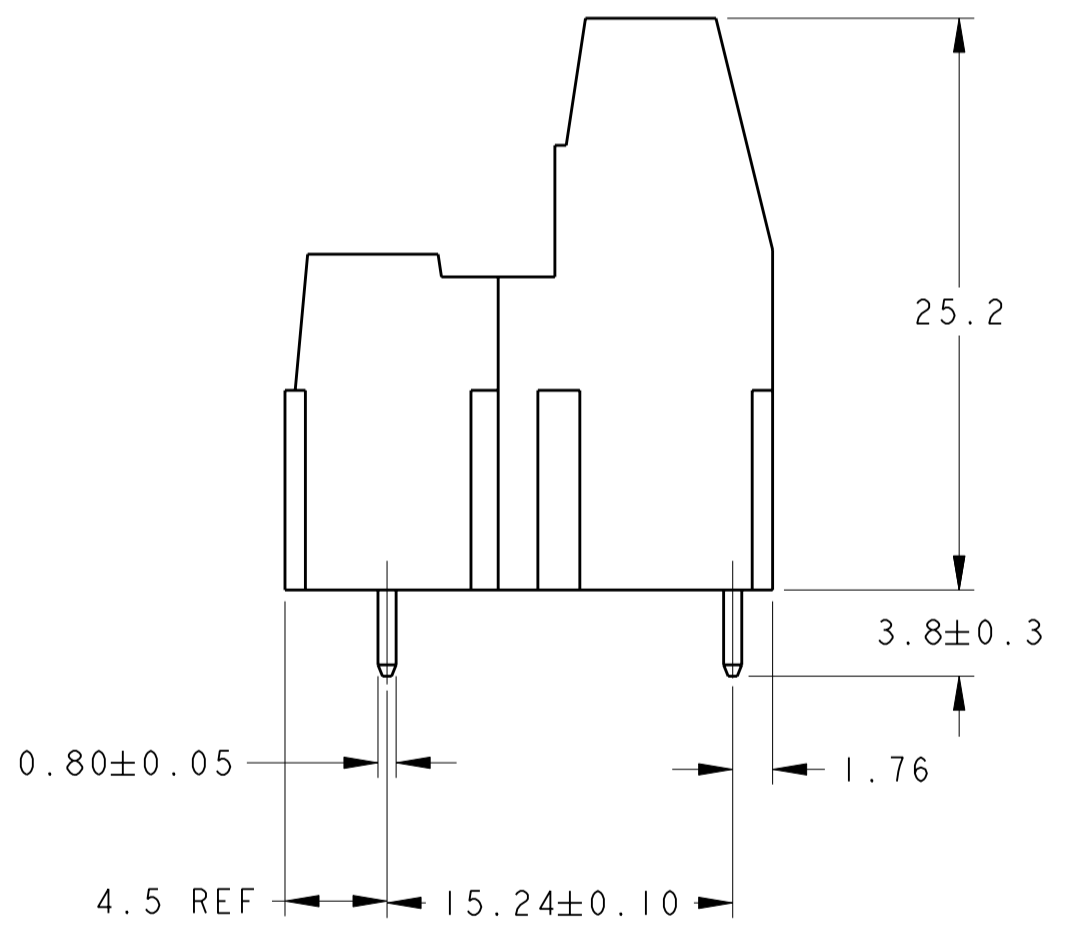
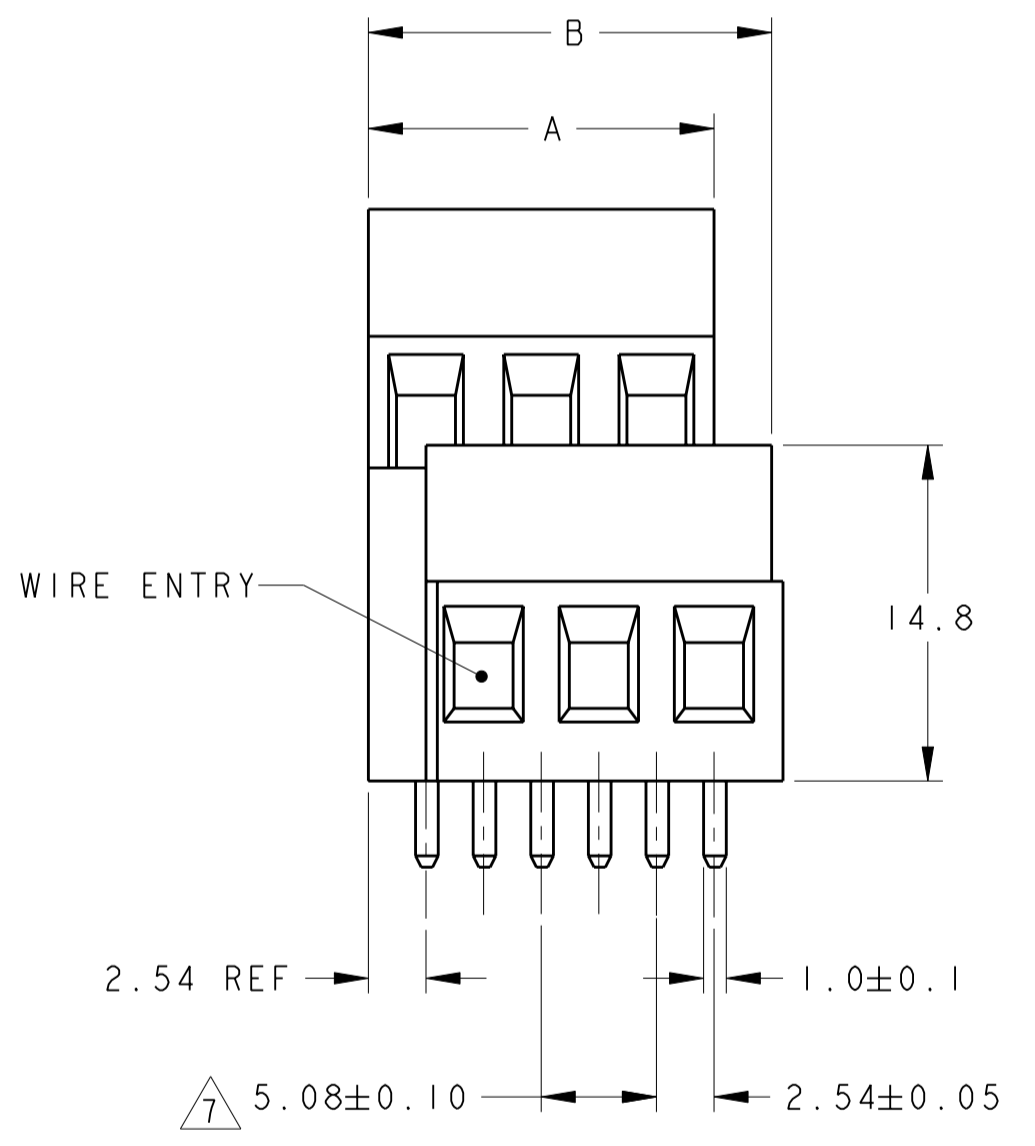
LOC	DIST	REVISIONS			
P	LTR	DESCRIPTION	DATE	DWN	APVD
FT	0	EI	REVISED PER ECO-08-012296	20MAY2008	HMR CR



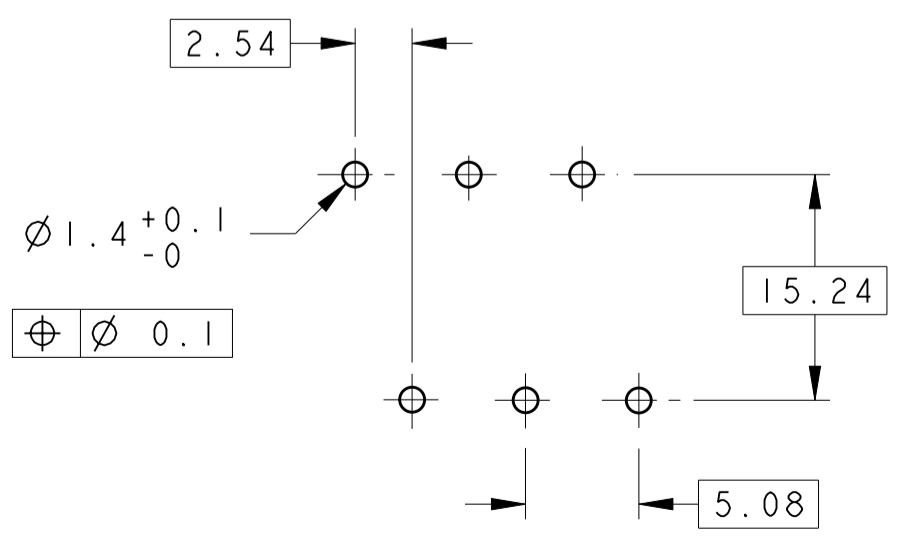
- 1. MATERIALS AND FINISH
 HOUSING: PA 6-6, UL 94-V0, COLOR GREEN.
 CLAMP: BRASS, NICKEL PLATED.
 TERMINAL: BRASS, TIN PLATED.
 CLAMPING SCREW: M3, BRASS, NICKEL PLATED.
- 2. SUITABLE FOR 1,6-2,4mm PC BOARD THICKNESS.
- 3. END-TO-END STACKABLE W/INTERLOCK WITHOUT LOSS OF CENTERLINE SPACING.
- 4. WIRE SIZE RANGE: 12-30 AWG.
- 5. RECOGNIZED UNDER THE COMPONENT PROGRAM OF UNDERWRITERS LABORATORIES INC., FILE N° E60677.
- 6. IMQ CERTIFICATE WITH SURVEILLANCE IN CONFORMITY WITH IEC 998-1/998-2-1.
- 7. NOT CUMULATIVE TOLERANCE.
- 8. SCREWS BOTTOMED IN TERMINAL BLOCK TO CLOSE CAGE CLAMP.
- 9. BUCHANAN LOGO TO APPEAR ON HOUSING, LOCATION OPTIONAL WHERE SPACE PERMITS.



796692-3 AS SHOWN



8	B	A	NO OF POSN	PART NUMBER
83.82	81.28	16	1	796692-6
17.78	15.24	3	1	796692-3
63.50	60.96	12	1	796692-2
58.42	55.88	11	1	796692-1
53.34	50.80	10	1	796692-0
48.26	45.72	9		796692-9
43.18	40.64	8		796692-8
38.10	35.56	7		796692-7
33.02	30.48	6		796692-6
27.94	25.40	5		796692-5
22.86	20.32	4		796692-4
17.78	15.24	3		796692-3
12.70	10.16	2		796692-2



RECOMMENDED PC BOARD LAYOUT

THIS DRAWING IS A CONTROLLED DOCUMENT FOR TYCO ELECTRONICS CORPORATION. IT IS SUBJECT TO CHANGE AND THE CONTROLLING ENGINEERING ORGANIZATION SHOULD BE CONTACTED FOR THE LATEST REVISION.		DWN S. WELDON 21FEB2002	Tyco Electronics Harrisburg, PA 17105-3608	
DIMENSIONS: mm		CHK D. BIEVENOUR 21FEB2002	NAME TERMINAL BLOCK, PCB MOUNT 1ST AND 2ND LEVEL STACKING W/INTERLOCK, 5.08mm PITCH	
TOLERANCES UNLESS OTHERWISE SPECIFIED: 0 PLC ±- 1 PLC ±0.3 2 PLC ±0.25 3 PLC ±- 4 PLC ±- ANGLES ±2 FINISH		APVD D. BIEVENOUR 21FEB2002	RESTRICTED TO	
MATERIAL		PRODUCT SPEC 108-20166	SIZE A2	
		APPLICATION SPEC 114-20079	CAGE CODE 00779	
		WEIGHT -	DRAWING NO G-796692	
CUSTOMER DRAWING		SCALE 3:1		SHEET 1 OF 1